

Congratulations!

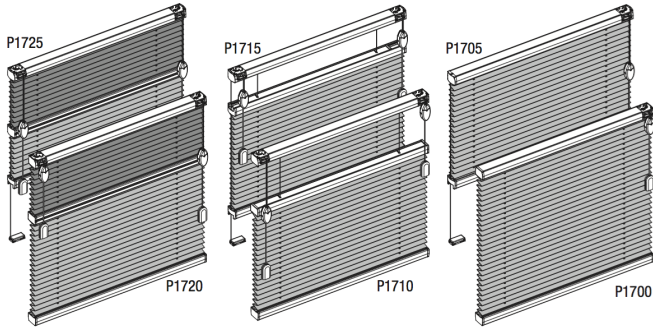
on the purchase of your Sensuna product from UpDown Blinds

This blind has been custom-made in Germany from quality materials to your precise specifications.

Please pay particular attention to the installation and care instructions to ensure a good fit and long life for your blind.

We wish you satisfaction with your new blind.

Your UpDown Blinds team



Please read the following advice carefully prior to installation

Improper installation can cause injury. Blind must be installed according to instructions, using the supplied and/or specified components.

Screws for installation are NOT supplied with this blind. Please ensure that blinds are installed using screws with sufficient holding force and suited to the material/composition of window components.

Further information available at www.updownblinds.com.au/plissees/blind_safety.asp

Safety for cord-operated blinds



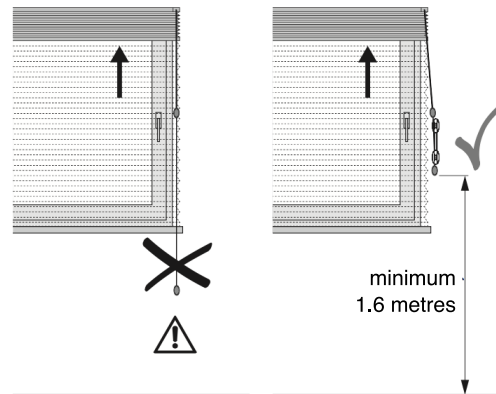
Blind safety

Blinds with long, unsecured cords are a strangulation hazards for children. Blinds must be installed in accordance with Australian mandatory product safety standards for Corded Internal Window Covering.

Our cord-operated blinds are especially child-safe thanks to the Sensuna kids care cord breaker which releases the cord loop if under pressure or pulled apart.

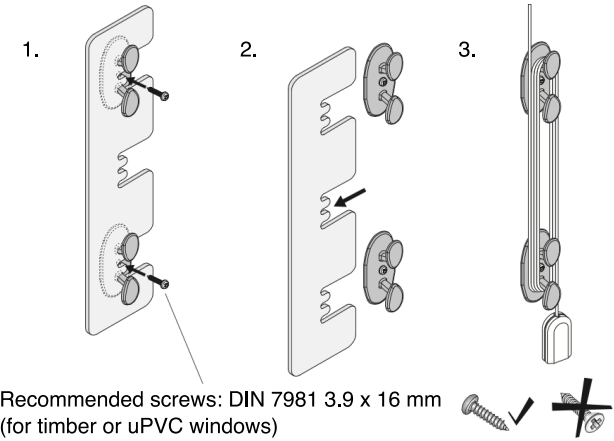
Additionally, this blind is supplied with tie-down cleats to be fixed to the wall. Use these to anchor the pull-cord.

- ⚠ Tie-down cleats must be installed at least 1.6 metres above floor level.
- ⚠ Warning labels supplied with blinds must not be removed.
- ⚠ Keep furniture, especially beds and babies' cots, away from windows, and ensure that blind cords are secured out of reach.
- ⚠ Never tie loose cords together; ensure that cords do not form a loop.



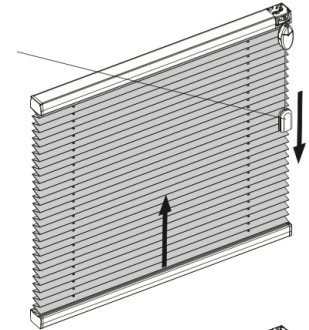
Safety for cord-operated blinds

Blind safety: installation of tie-down cleats

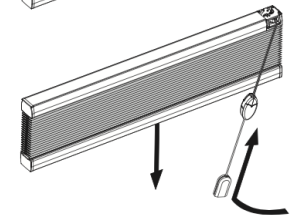


Blind operation

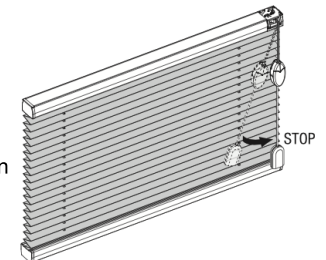
To open blind:
Pull cord downwards at tassel



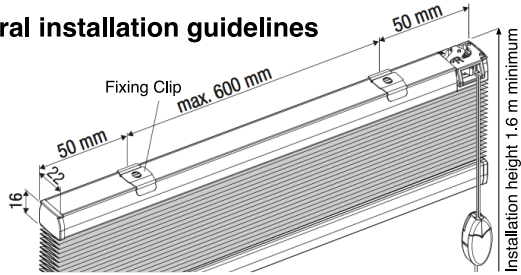
To close blind:
Pull tassel towards centre of blind and guide cord diagonally upwards



To stop blind:
Bring tassel/cord to vertical position

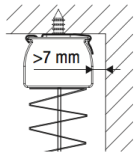


General installation guidelines



Install Fixing Clips 50 mm from each end of the rail, and with a maximum spacing of 600 mm between clips.

Fixing Clips should preferably be installed with the flap facing forwards (towards the room); this ensures that the blind can easily be taken down. Fixing Clips may only be installed with the flap towards the window (shown on right) if the distance between the clip and the window is at least 7 mm.



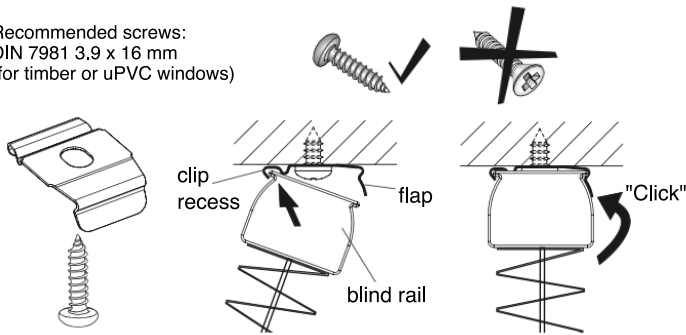
Note for installation on timber surfaces: Timber is a natural material. Ensure that brackets are installed with sufficient distance to edges, to avoid splitting or splintering. Pre-drilling is recommended.

Installation inside window reveal (Recess mount) and Installation in the glazing bead (Window mount)

Mounting hardware: Fixing Clips

Attach Fixing Clips to window reveal or glazing bead with spacing as recommended above. Glazing bead requires minimum depth of 25 mm.

Recommended screws:
DIN 7981 3.9 x 16 mm
(for timber or uPVC windows)



Insert the edge of the blind rail diagonally into the clip recess, then straighten upwards until the rail 'clicks' into place.

Dismantling: push the flaps upwards to remove the blind rail from the Fixing Clips.

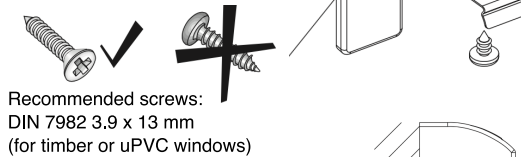
Installation on architrave or wall (Face mount) and Installation on window frame sash (Window mount)

Mounting hardware: Face Brackets + Fixing Clips

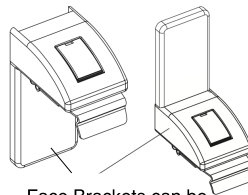
Position Face Brackets and tighten screws carefully.

Slide on bracket covers.

Attach Fixing Clips to Face Brackets with supplied screws.

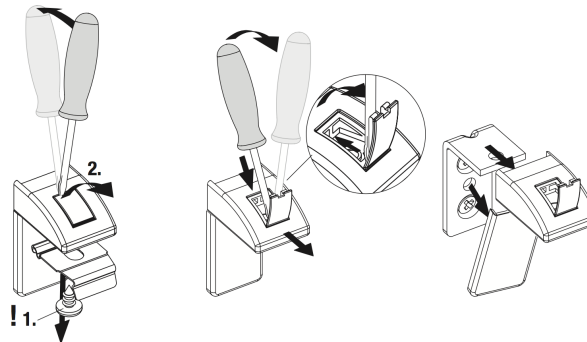


Insert the edge of the blind rail diagonally into the clip recess, then straighten upwards until the rail 'clicks' into place.



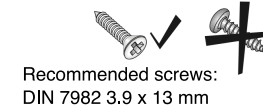
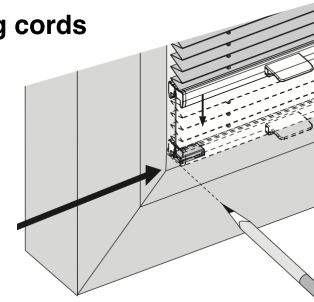
Face Brackets can be installed with legs turned upwards or downwards.

Dismantling: Remove the blind rail from the Fixing Clips by pushing the flaps upwards, then dismantle the Face Brackets as described below.

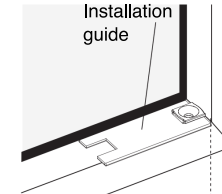


Fastening the lateral bracing cords

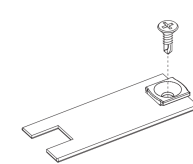
For blind layouts with lateral bracing (P1705, P1715, P1725), install the blind as per instructions, then lower the blind completely and use a pencil to mark the outside edge of the blind.



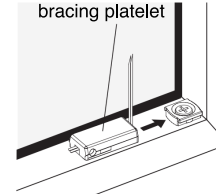
For blinds installed with Fixing Clips only, the lateral bracing cord is fastened with **Horizontal Mounts**.



Slide Horizontal Mount into installation guide, then guide into position and align with pencil mark.

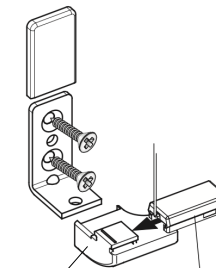


Tighten screw carefully.



Slide bracing platelet onto Horizontal Mount.

For blinds installed with Face Brackets and Fixing Clips, the lateral bracing cord is fastened with additional **Face Bracket Mounts**.



Position Face Brackets and tighten screws carefully.

Slide on bracket covers, including bracing attachment.

Slide bracing platelet into place.

bracing attachment bracing platelet



After performing a function check, the overhanging cords can be cut off.