

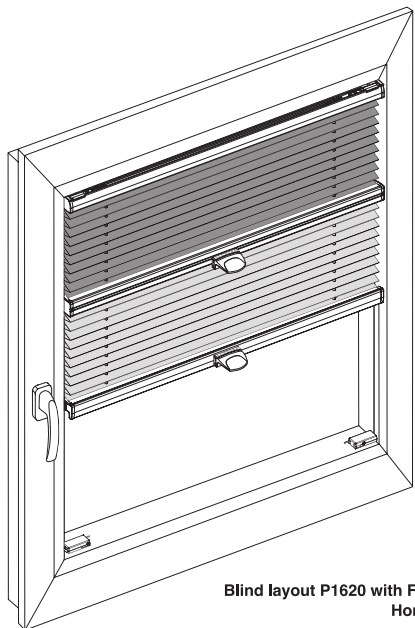
### Congratulations! on the purchase of your Sensuna product from UpDown Blinds

This blind has been custom-made in Germany from quality materials to your precise specifications.

Please pay particular attention to the installation and care instructions to ensure a good fit and long life for your blind.

We wish you satisfaction with your new blind.

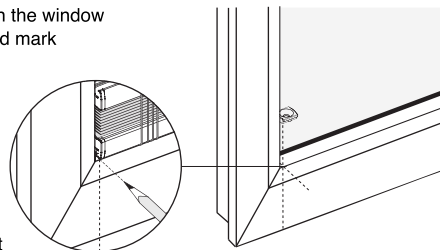
Your UpDown Blinds team



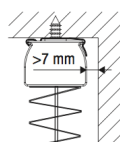
Blind layout P1620 with Fixing Clips and Horizontal Mounts

### Positioning in the window reveal or glazing bead

The outside edges of the blind align with those of the Horizontal Mounts. Place the blind into position in the window reveal or the glazing bead and mark the position with a pencil.

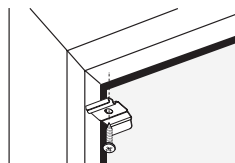


NOTE: For installation in the glazing bead, retain a minimum distance (fabric dependent) to the window glass to avoid damage. Use the installation guide to assist in measuring.



NOTE: Fixing Clips can be installed with the flap facing forwards (towards the room; this ensures the blind can easily be taken down) or backwards (towards the window). Installation with the flap towards the window (shown on left) requires at least 7 mm distance between the clip and the window.

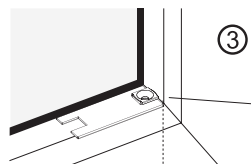
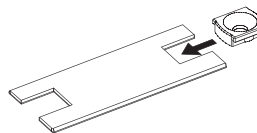
### Installation of Fixing Clips and Horizontal Mounts



①

Place Fixing Clips into desired position in the window reveal or the glazing bead, and carefully tighten screws (3.9 x 13 mm, predrilling may be required).

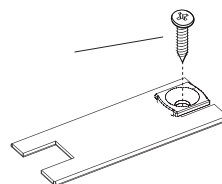
② Slide Horizontal Mount into installation guide.



③

Place Horizontal Mount and installation guide into position and align with pencil mark.

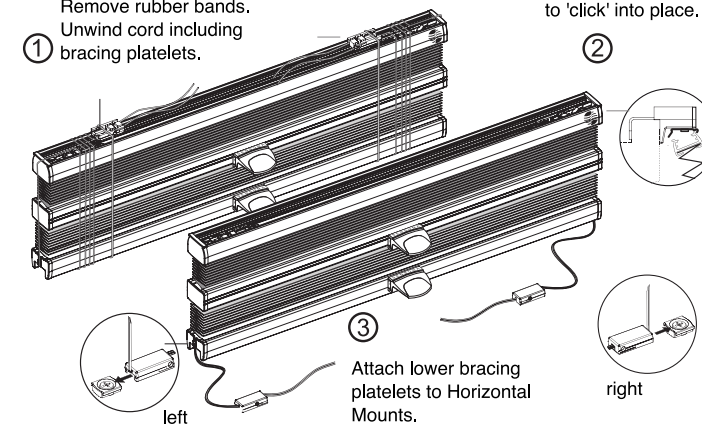
④ Tighten screw carefully (3.9 x 16 mm).



### Fitting the blind

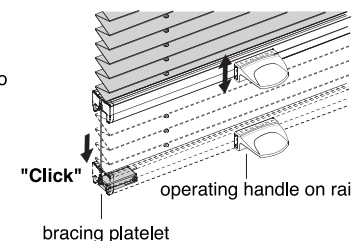
① Remove rubber bands. Unwind cord including bracing platelets.

② Insert rail diagonally into Fixing Clips, straighten upwards to 'click' into place.



### Blind operation

Use the operating handles to raise and lower the braced cordless blind.



After performing a function check, the overhanging cords can be cut off.

### Adjusting blind tension

To adjust the tension of the blind, remove the blind from the window. Loosen the screws in the lower bracing platelets with the supplied allen key and adjust the length of the tension cords equally on both sides (a pencil mark on the cords may help). Tighten the screws and re-fit the blind to the window.

#### Contents:

Blind x1		Screws 2x 3.9 x 13 mm 2x 3.9 x 16 mm		Horizontal Mounts x2	
Allen key (M3) x1		Fixing Clips x2		Installation guide x1	

#### Please read the following advice carefully prior to installation

Improper installation can cause injury. Blind must be installed according to instructions, using the supplied components.

Further information available at [www.updownblinds.com.au/plissees/blind\\_safety.asp](http://www.updownblinds.com.au/plissees/blind_safety.asp)