

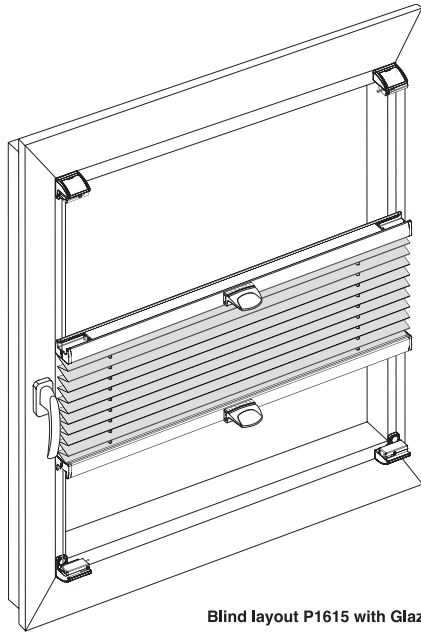
Congratulations! on the purchase of your Sensuna product from UpDown Blinds

This blind has been custom-made in Germany from quality materials to your precise specifications.

Please pay particular attention to the installation and care instructions to ensure a good fit and long life for your blind.

We wish you satisfaction with your new blind.

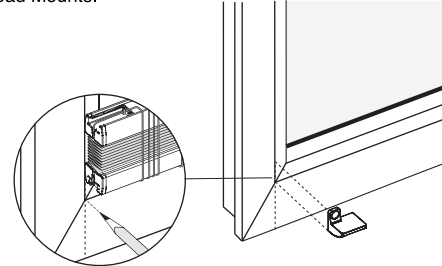
Your UpDown Blinds team



Blind layout P1615 with Glazing Bead Mounts

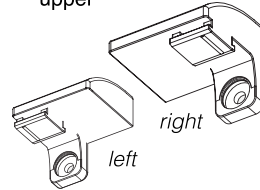
Positioning on the glazing bead

The outside edges of the blind align with those of the Glazing Bead Mounts.



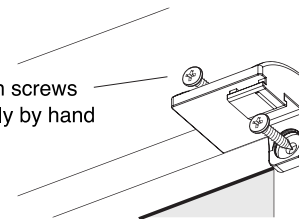
Installation of Glazing Bead Mounts

- ① Glazing Bead bracket upper

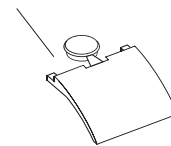


- ②

Tighten screws carefully by hand

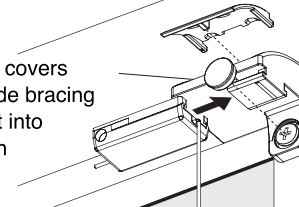


- ③ Separate end covers

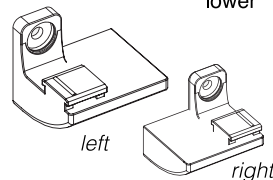


- ④

Fit end covers and slide bracing platelet into position

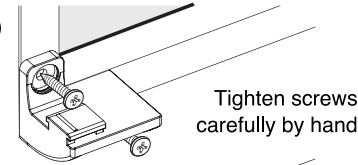


- ① Glazing Bead bracket lower

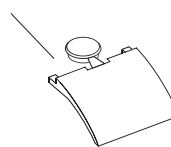


- ②

Tighten screws carefully by hand

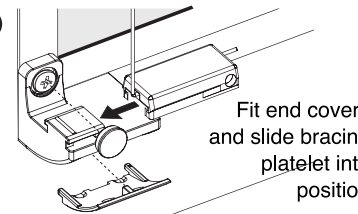


- ③ Separate end covers



- ④

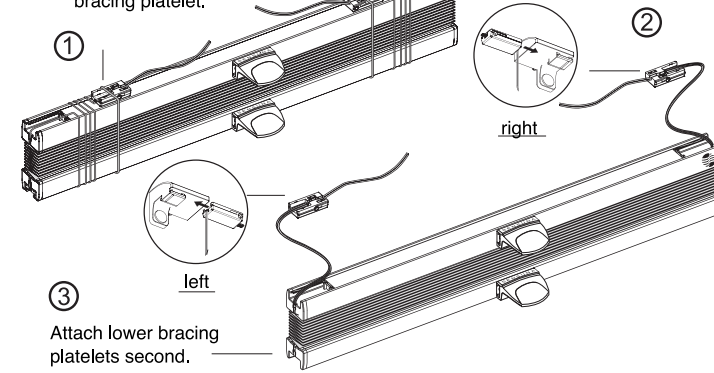
Fit end covers and slide bracing platelet into position



Fitting the blind

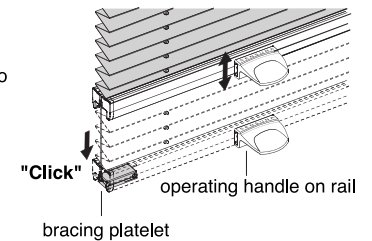
Remove rubber bands. Unwind cord including bracing platelet.

Attach upper bracing platelets first.



Blind operation

Use the operating handles to raise and lower the braced cordless blind.

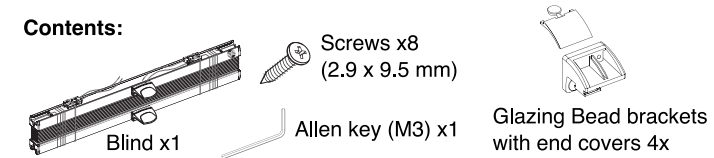


After performing a function check, the overhanging cords can be cut off.

Adjusting blind tension

To adjust the tension of the blind, remove the blind from the window. Loosen the screws in the lower bracing platelets with the supplied allen key and adjust the length of the tension cords equally on both sides (a pencil mark on the cords may help). Tighten the screws and re-fit the blind to the window.

Contents:



Please read the following advice carefully prior to installation

Improper installation can cause injury. Blind must be installed according to instructions, using the supplied components.

Further information available at www.updownblinds.com.au/plissees/blind_safety.asp