

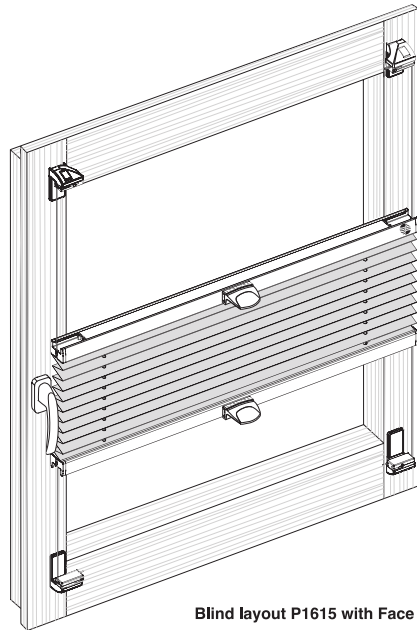
Congratulations! on the purchase of your Sensuna product from UpDown Blinds

This blind has been custom-made in Germany from quality materials to your precise specifications.

Please pay particular attention to the installation and care instructions to ensure a good fit and long life for your blind.

We wish you satisfaction with your new blind.

Your UpDown Blinds team

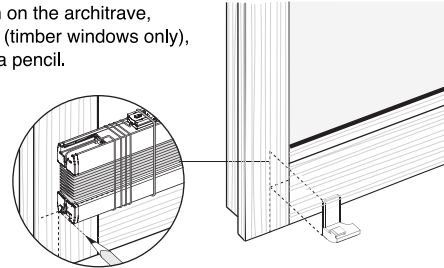


Blind layout P1615 with Face Bracket Mounts

Positioning: architrave, wall or window frame sash

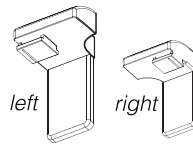
The outside edges of the blind align with those of the Face Bracket Mounts. Place the blind into position on the architrave, wall, or window frame sash (timber windows only), and mark the position with a pencil.

NOTE for installation on timber surfaces: Timber is a natural material. Ensure that brackets are installed with sufficient distance to edges, to avoid splitting or splintering.

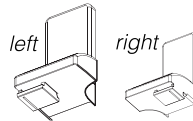


Installation of the Face Bracket Mounts

① Variant A (upper)



Variant B (upper)



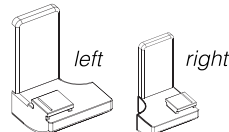
② Position Face Bracket and tighten screws carefully

(pre-drilling may be required)

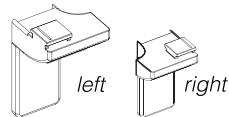
③ Slide on bracing attachment

Slide on bracket cover

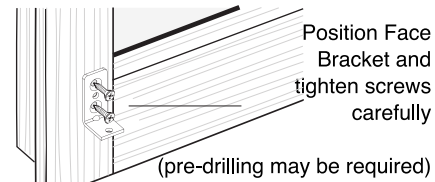
① Variant A (lower)



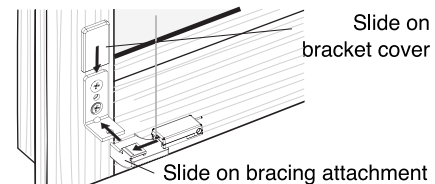
Variant B (lower)



②



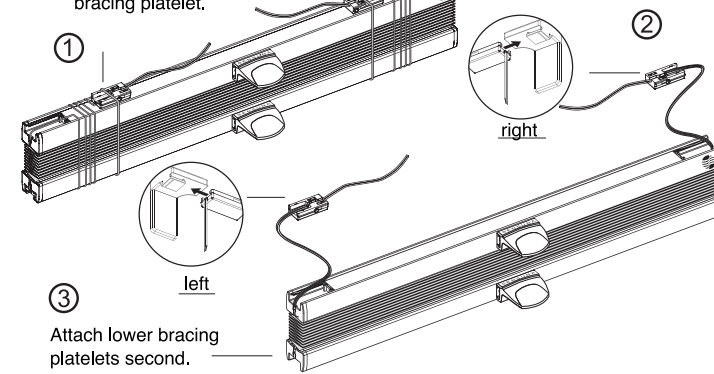
③



Fitting the blind

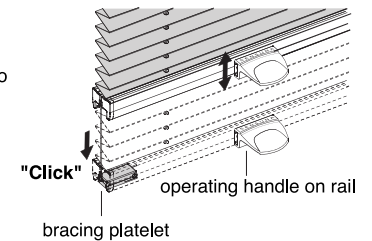
Remove rubber bands. Unwind cord including bracing platelet.

Attach upper bracing platelets first.



Blind operation

Use the operating handles to raise and lower the braced cordless blind.



After performing a function check, the overhanging cords can be cut off.

Adjusting blind tension

To adjust the tension of the blind, remove the blind from the window. Loosen the screws in the lower bracing platelets with the supplied allen key and adjust the length of the tension cords equally on both sides (a pencil mark on the cords may help). Tighten the screws and re-fit the blind to the window.

Contents:

- Blind x1
- Face Brackets x4
- Countersunk screws x8 (3.9 x 13 mm)
- Allen key (M3) x1
- Bracket covers x4
- Bracing attachment for brackets x4

Please read the following advice carefully prior to installation

Improper installation can cause injury. Blind must be installed according to instructions, using the supplied components.

Further information available at www.updownblinds.com.au/plissees/blind_safety.asp