

Congratulations!

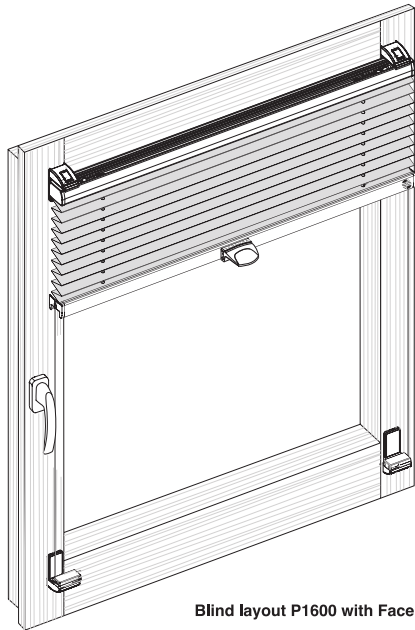
on the purchase of your Sensuna product from UpDown Blinds

This blind has been custom-made in Germany from quality materials to your precise specifications.

Please pay particular attention to the installation and care instructions to ensure a good fit and long life for your blind.

We wish you satisfaction with your new blind.

Your UpDown Blinds team

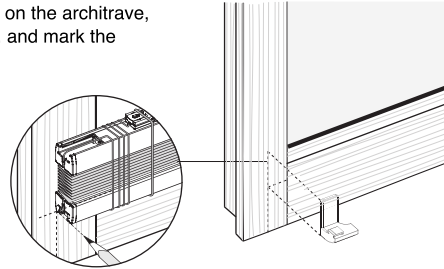


Blind layout P1600 with Face Bracket Mounts

Positioning: architrave, wall or window frame sash

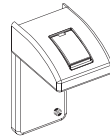
The outside edges of the blind align with those of the Face Bracket Mounts. Place the blind into position on the architrave, wall, or window frame sash, and mark the position with a pencil.

NOTE for installation on timber surfaces: Timber is a natural material. Ensure that brackets are installed with sufficient distance to edges, to avoid splitting or splintering.



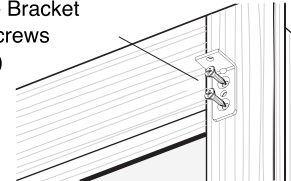
Installation of the Face Bracket Mounts

① Variant A (upper)

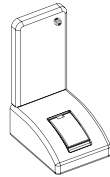


② Position Face Bracket and tighten screws (3.9 x 13 mm)

(pre-drilling may be required)

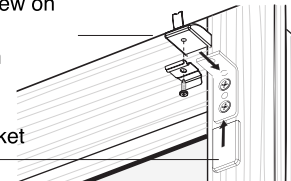


Variant B (upper)

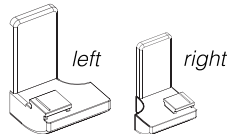


③ Slide on bracket attachment (Clip) and screw on Fixing Clip (3.5 x 6.5 mm screws)

Slide on bracket cover



① Variant A (lower)

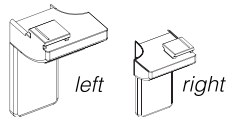


②

Position Face Bracket and tighten screws (3.9 x 13 mm)

(pre-drilling may be required)

Variant B (lower)

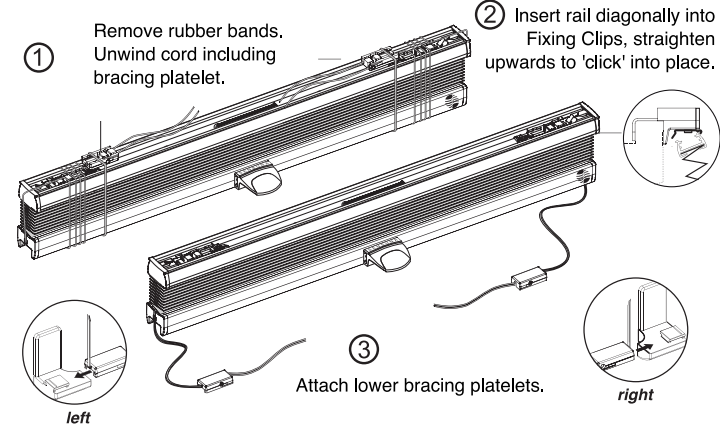


③

Slide on bracket cover

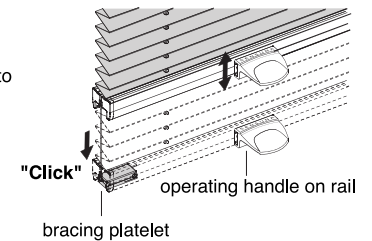
Slide on bracket attachment (Bracing)

Fitting the blind



Blind operation

Use the operating handles to raise and lower the braced cordless blind.

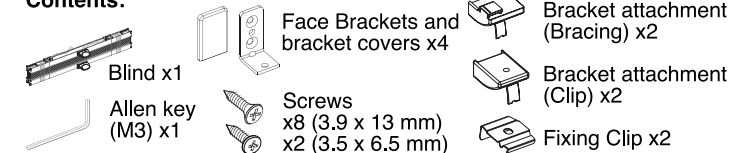


After performing a function check, the overhanging cords can be cut off.

Adjusting blind tension

To adjust the tension of the blind, remove the blind from the window. Loosen the screws in the lower bracing platelets with the supplied allen key and adjust the length of the tension cords equally on both sides (a pencil mark on the cords may help). Tighten the screws and re-fit the blind to the window.

Contents:



Please read the following advice carefully prior to installation

Improper installation can cause injury. Blind must be installed according to instructions, using the supplied components.

Further information available at www.updownblinds.com.au/plissees/blind_safety.asp