

Congratulations!

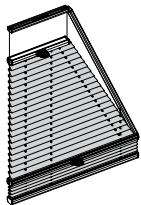
on the purchase of your Sensuna product from UpDown Blinds

This blind has been custom-made in Germany from quality materials to your precise specifications.

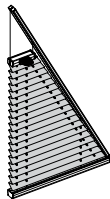
Please pay particular attention to the installation and care instructions to ensure a good fit and long life for your blind.

We wish you satisfaction with your new blind.

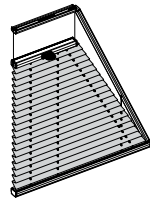
Your UpDown Blinds team



P1662
P1663



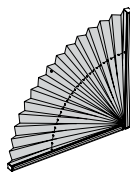
P1636
P1637



P1634
P1635



P1650



P1001 P1082
P1043 P1086
P1044



Please read the following advice carefully prior to installation

Improper installation can cause injury. Blind must be installed according to instructions, using the supplied and/or specified components.

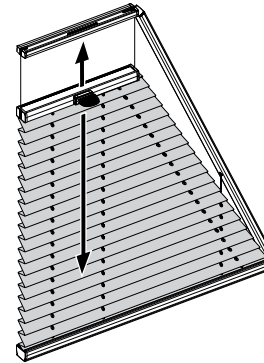
Screws for installation are NOT supplied with this blind. Please ensure that blinds are installed using screws with sufficient holding force and suited to the material/composition of window components.

Further information available at www.updownblinds.com.au/plissees/blind_safety.asp

Blind operation

Blind layouts P1634, P1635, P1636, P1637, P1650, P1662, P1663

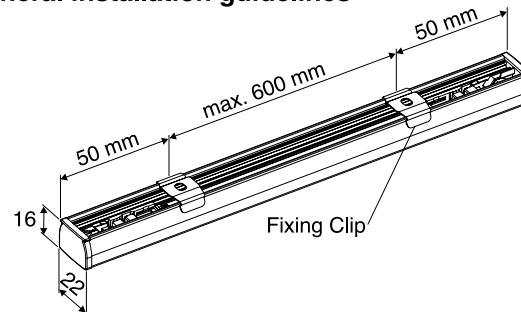
These blinds are adjusted up and down via the operating handle fixed to the adjustable rail. For windows above comfortable reaching height, an extender rod may be used (available separately).



Blind layouts P1001, P1043, P1044, P1082, P1086

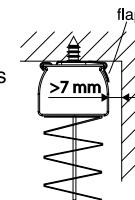
These blinds are fixed and cannot be adjusted/operated.

General installation guidelines



Install Fixing Clips 50 mm from each end of the rail, and with a maximum spacing of 600 mm between clips.

Fixing Clips should preferably be installed with the flap facing forwards (towards the room); this ensures that the blind can easily be taken down. Fixing Clips may only be installed with the flap towards the window (shown on right) if the distance between the clip and the window is at least 7 mm.

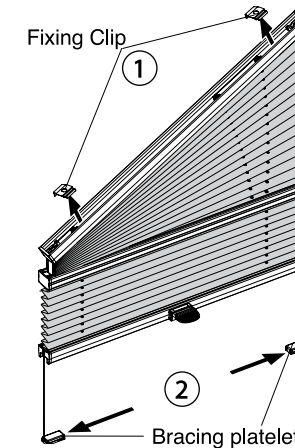
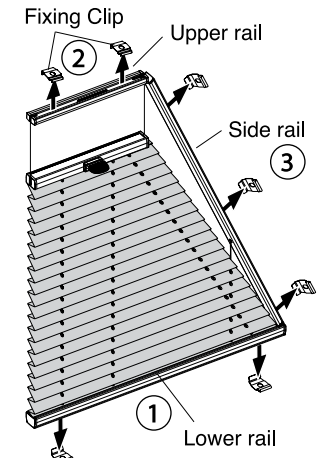


Note for installation on timber surfaces: Timber is a natural material. Ensure that brackets are installed with sufficient distance to edges, to avoid splitting or splintering. Pre-drilling is recommended.

General installation guidelines for adjustable blinds

Adjustable blinds with a fixed lower rail should be installed in the following order:

1. Attach **lower** mounting hardware (as per instructions over page) and click lower blind rail into place.
2. Attach **upper** mounting hardware and click upper rail into place.
3. Attach **side** mounting hardware and click side rail/s into place.



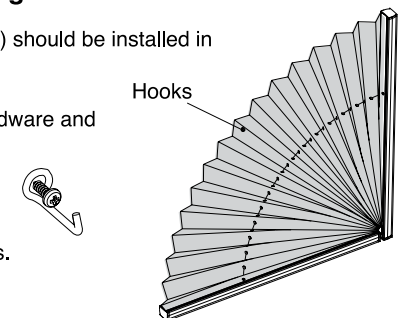
For blind layout P1650 the installation order is as follows:

1. Attach upper mounting hardware and click upper rail into place.
2. Fasten lateral bracing platelets (as per instructions over page).

General installation guidelines for fixed blinds

Fixed blinds (not operable) should be installed in the following order:

1. Attach all mounting hardware and click blind rails into place.
2. Attach hooks directly behind eyelets in fabric, and hang fabric into hooks.

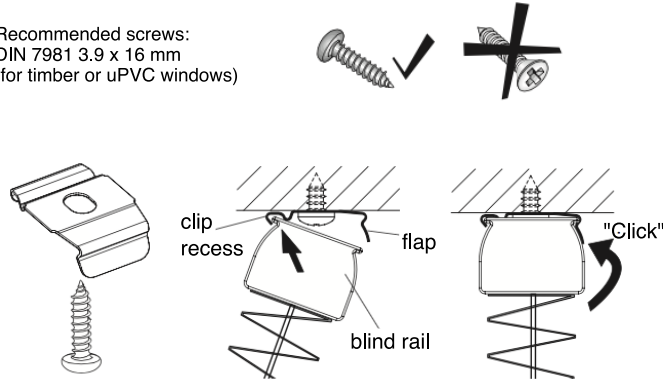


Installation inside window reveal (Recess mount) and Installation in the glazing bead (Window mount)

Mounting hardware: Fixing Clips

Attach Fixing Clips to window reveal or glazing bead with spacing as recommended. Glazing bead requires a minimum depth of 25 mm.

Recommended screws:
DIN 7981 3.9 x 16 mm
(for timber or uPVC windows)



Insert the edge of the blind rail diagonally into the clip recess, then straighten upwards until the rail 'clicks' into place.

Dismantling: push the flaps upwards to remove the blind rail from the Fixing Clips.

Care & cleaning

Sensuna blinds have anti-static properties, making them resistant to dust and dirt build-up.

Fabrics can be wiped with a soft brush or duster. Light stains can be removed by gently wiping (not rubbing) with a soft damp cloth.

Blinds with washable fabrics can also be washed in warm soapy water if required (see updownblinds.com.au/plissees/care_and_cleaning.asp)

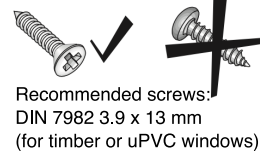
Oddly shaped cordless blinds

Installation on architrave or wall (Face mount) and Installation on window frame sash (Window mount)

Mounting hardware: Face Brackets + Fixing Clips

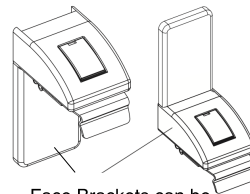
Position Face Brackets and tighten screws carefully.

Slide on bracket covers.



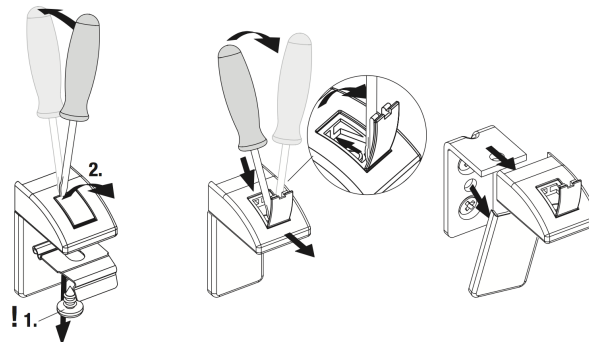
Attach Fixing Clips to Face Brackets with supplied screws.

Insert the edge of the blind rail diagonally into the clip recess, then straighten upwards until the rail 'clicks' into place.



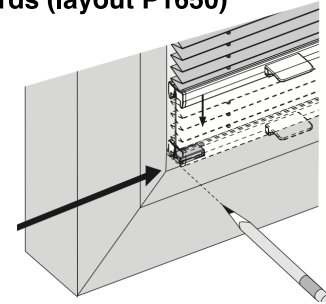
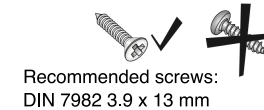
Face Brackets can be installed with legs turned upwards or downwards.

Dismantling: Remove the blind rail from the Fixing Clips by pushing the flaps upwards, then dismantle the Face Brackets as shown below.

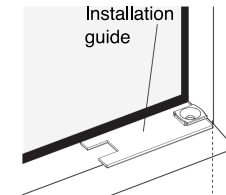


Fastening lateral bracing cords (layout P1650)

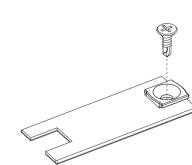
For blind layout P1650 with lateral bracing, install the blind as per instructions, then lower the blind completely and use a pencil to mark the outside edges of the lower rail.



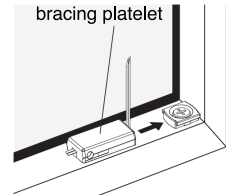
For blinds installed with Fixing Clips only, the lateral bracing cord is fastened with **Horizontal Mounts**.



Slide Horizontal Mount into installation guide, then guide into position and align with pencil mark.

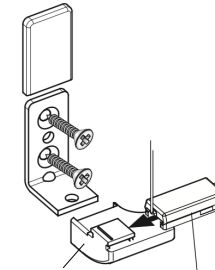


Tighten screw carefully.



Slide bracing platelet onto Horizontal Mount.

For blinds installed with Face Brackets and Fixing Clips, the lateral bracing cord is fastened with additional **Face Bracket Mounts**. The outside edges of the brackets align with the outside edges of the rail.



bracing attachment bracing platelet

Position Face Brackets and tighten screws carefully.

Slide on bracket covers, including bracing attachment.

Slide bracing platelet into place.



After performing a function check, the overhanging cords can be cut off.