

Congratulations!

on the purchase of your Sensuna product from UpDown Blinds

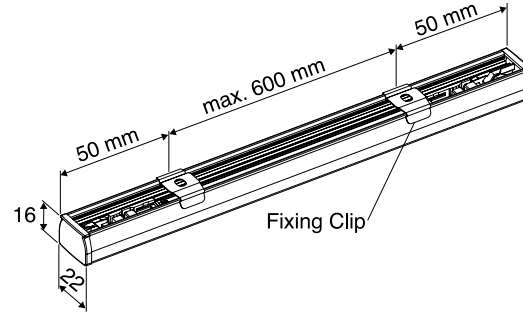
This blind has been custom-made in Germany from quality materials to your precise specifications.

Please pay particular attention to the installation and care instructions to ensure a good fit and long life for your blind.

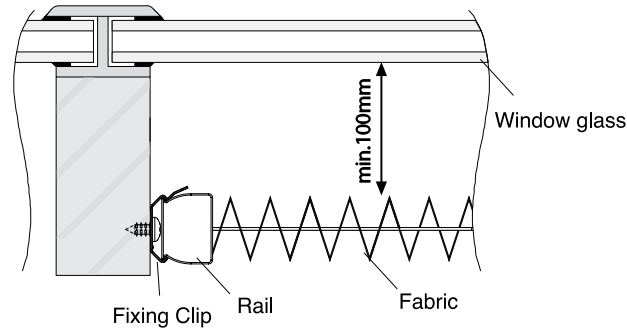
We wish you satisfaction with your new blind.

Your UpDown Blinds team

General installation guidelines



Install Fixing Clips 50 mm from each end of the rail, and with a maximum spacing of 600 mm between clips.

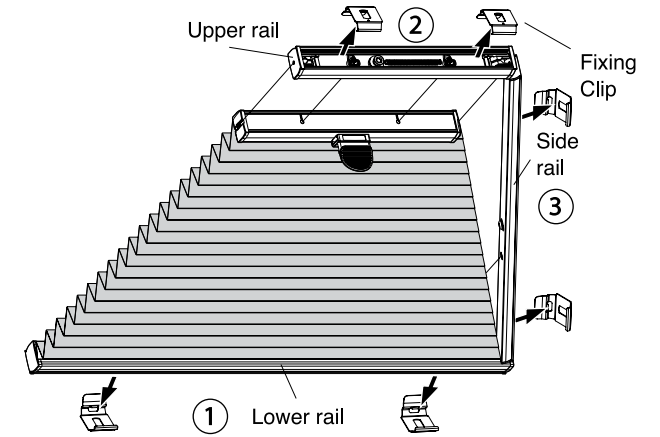


For adequate air circulation, an airgap of at least 100 mm must be retained between the window glass and the fabric of ceiling and sunroom blinds. Insufficient air circulation can result in damage to the window and/or blind.

Note for installation on timber surfaces: Timber is a natural material. Ensure that mounting hardware is installed with sufficient distance to edges, to avoid splitting or splintering. Pre-drilling is recommended.

General installation guidelines continued...

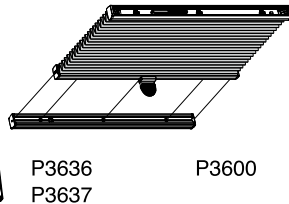
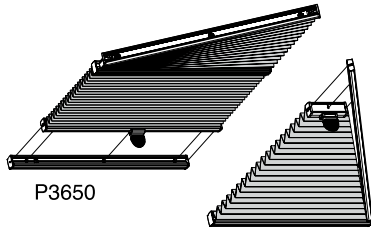
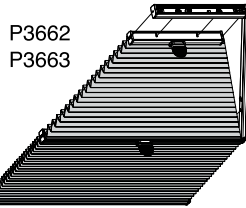
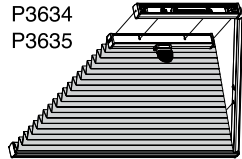
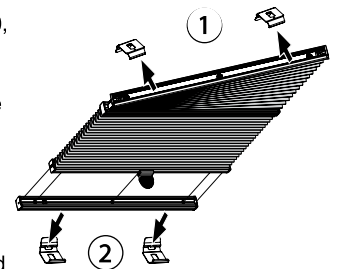
Blinds with an adjustable rail that is narrower than the widest part of the blind (layouts **P3634**, **P3635**, **P3636**, **P3637**, **P3662**, **P3663**) should be installed in the following order:



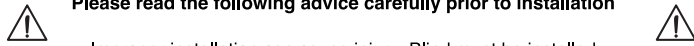
1. Attach **lower** mounting hardware (as per instructions over page) and click lower blind rail (wide end) into place.
2. Attach **upper** mounting hardware and click upper rail (narrow end) into place.
3. Attach **side** mounting hardware and click side rail/s into place.
4. Adjust wire tension (as described over page)

For blind layouts **P3600** and **P3650**, the installation order is as follows:

1. Attach upper mounting hardware and click upper rail into place.
2. Attach lower mounting hardware and click lower rail into place.
3. Adjust wire tension (as described over page)



P3600



Please read the following advice carefully prior to installation

Improper installation can cause injury. Blind must be installed according to instructions, using the supplied and/or specified components.

Screws for installation are NOT supplied with this blind. Please ensure that blinds are installed using screws with sufficient holding force and suited to the material/composition of window components.

Further information available at
www.updownblinds.com.au/plissees/blind_safety.asp

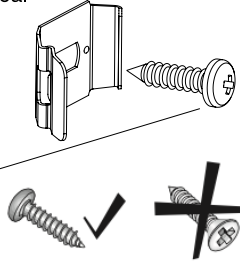
Installation inside window reveal (Recess mount)

and

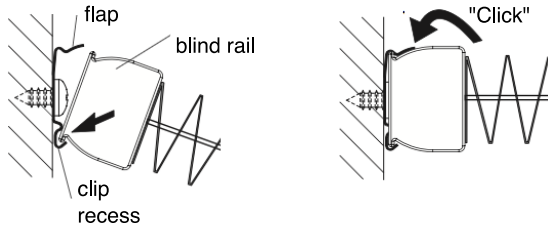
Installation in the glazing bead (Window mount)

Mounting hardware: Fixing Clips

Attach Fixing Clips to window reveal or glazing bead with spacing as recommended.



Recommended screws:
DIN 7981 3.9 x 16 mm
(for timber or uPVC windows)



Insert the edge of the blind rail diagonally into the clip recess, then straighten upwards until the rail 'clicks' into place.

Dismantling: push the flaps upwards to remove the blind rail from the Fixing Clips.

Care & cleaning

Sensuna blinds have anti-static properties, making them resistant to dust and dirt build-up.

Fabrics can be wiped with a soft brush or duster. Light stains can be removed by gently wiping (not rubbing) with a soft damp cloth.

Blinds with washable fabrics can also be washed in warm soapy water if required (see updownblinds.com.au/plisseecare_and_cleaning.asp)

Installation on architrave or wall (Face mount)

and

Installation on window frame sash (Window mount)

Mounting hardware: Face Brackets + Fixing Clips

Position Face Brackets and tighten screws carefully.

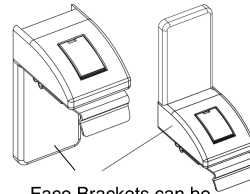
Slide on bracket covers.



Recommended screws:
DIN 7982 3.9 x 13 mm
(for timber or uPVC windows)

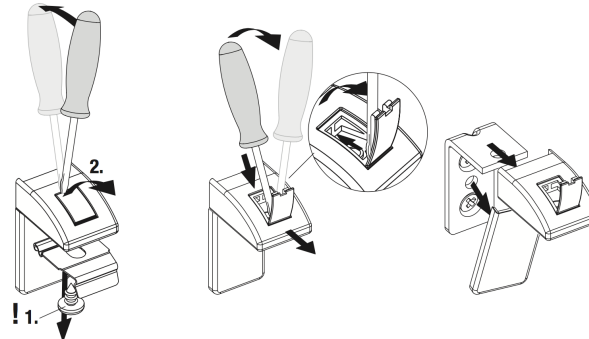
Attach Fixing Clips to Face Brackets with supplied screws.

Insert the edge of the blind rail diagonally into the clip recess, then straighten upwards until the rail 'clicks' into place.



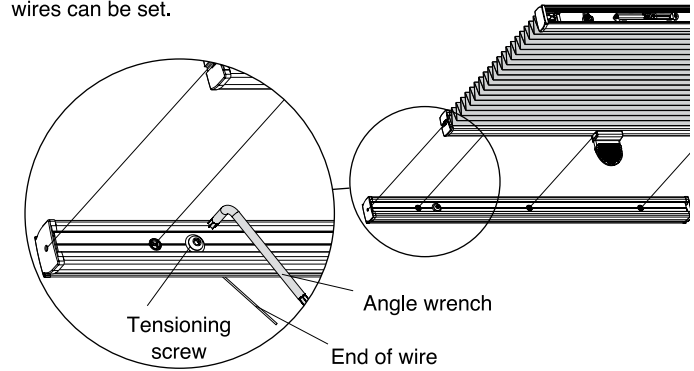
Face Brackets can be installed with legs turned towards or away from window.

Dismantling: Remove the blind rail from the Fixing Clips by lifting the flaps, then dismantle the Face Brackets as shown below.



Adjust blind tension

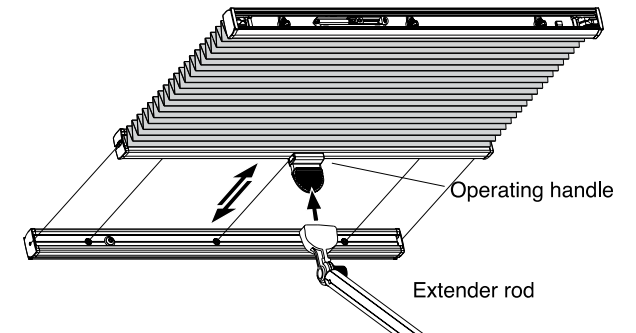
Following installation of the blind in its final position, the tension of the wires can be set.



1. Secure end of wire by hand or with pliers.
2. Slightly loosen tensioning screw with angle wrench (anti-clockwise rotation).
3. Tension wire by pulling end with hand or pliers.
4. Re-tighten tensioning screw (clockwise rotation).
5. Final tension is achieved through further tightening of the tensioning screw.

Repeat steps 1 - 5 for blinds with more than one wire. Ensure wires are uniformly tightened.

Blind operation



Cordless braced ceiling and sunroom blinds are opened and closed via the operating handle(s) fixed to the adjustable rail(s).

For windows above comfortable reaching height, an extender rod can be placed over the operating handle to assist blind operation.